



Ultra-thin Electric Back Screen LCD Monitor Lifter for and Professional Solutions

Our Product Introduction

Basic Information

- Place of Origin: China
- Brand Name: JUNNAN
- Certification: CE CCC ROHS
- Model Number: JN-21.5
- Minimum Order Quantity: 1
- Price: US\$ 294
- Packaging Details: 70CM*50CM*24CM
- Delivery Time: 7-20
- Payment Terms: L/C,D/A,D/P,T/T,Western Union,MoneyGram
- Supply Ability: 1-19 ≥20Communicative



Product Specification

- Product Name: Video Conference Solution
- Application: Enterprises Video Conferencing
- Material: Brushed Aluminum Alloy
- Control Way: Remote Control / Manual RS232
- Power Supply: AC 110-240V
- Function: Audio And Media, Presentation, Audio And Video, Lift Monitor, Other
- Color: Silver/black, Black, brushed Silver, Sliver / Black



More Images



for more products please visit us on monitor-lift.com

Product Description

Ultra-thin Electric Back Screen LCD Monitor Lifter

The LCD screen lifter with table plate on the back is widely used in advanced multimedia conference systems, monitoring systems, military command centers, education multimedia centers, advanced office systems, etc. It provides efficient, convenient and professional solutions for meetings, displays, teaching and other activities.

Our Advantages

High production efficiency, the factory adopts assembly line operation, mechanized production

The company has advanced production lines, the factory covers an area of 5,000 square meters, building area of 3,000 square meters

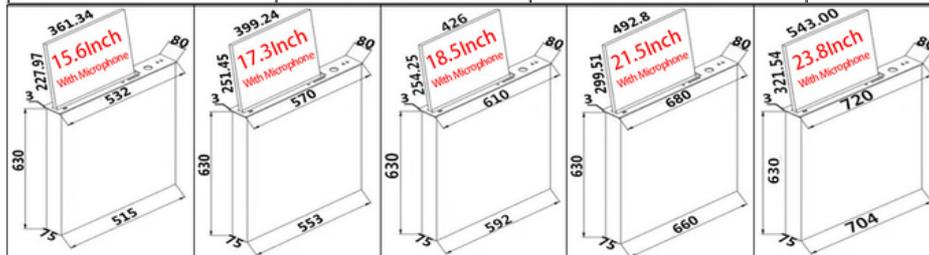
The quality, stability, and durability of the products are rigorously tested to ensure reliable product quality.

We strictly implement the quality management system to ensure the quality of products and services in line with international standards of customer demand, to provide customers with reliable products and services to ensure that

We have advanced equipment and technical means in the field of technology, and we are able to provide customized solutions to meet the different needs of our customers.

JUNNAN Desktop Lifting Display exterior dimensions

Model Numbe	Panel Size	Enclosure Size	(Note)Furniture Opening Reference Size
15.6-inch Desktop Lifting Display	426(L)*80(W)*3(Thick)M M	411(L)*75(W)*570(Thick)M M	Panel:427(L)*81(W)*3(H)MM Case:413(L)*77(W)*570(H)MM
17.3-inch Desktop Lifting Display	470(L)*80(W)*3(Thick)M M	449(L)*75(W)*570(Thick)M M	Panel:471(L)*81(W)*3(H)MM Case:451(L)*77(W)*570(H)MM
18.5-inch Desktop Lifting Display	492(L)*80(W)*3(Thick)M M	476(L)*75(W)*570(Thick)M M	Panel:493(L)*81(W)*3(H)MM Case:478(L)*77(W)*570(H)MM
21.5-inch Desktop Lifting Display	560(L)*80(W)*3(Thick)M M	544(L)*75(W)*630(Thick)M M	Panel:561(L)*81(W)*3(H)MM Case:562(L)*77(W)*630(H)MM
23.8-inch Desktop Lifting Display	610(L)*80(W)*3(Thick)M M	594(L)*75(W)*630(Thick)M M	Panel:611(L)*81(W)*3(H)MM Case:596(L)*77(W)*630(H)MM
15.6" Desktop Lifting Display with Microphone	532(L)*80(W)*3(Thick)M M	515(L)*75(W)*630(Thick)M M	Panel:533(L)*81(W)*3(H)MM Case:517(L)*77(W)*630(H)MM
17.3" Desktop Lifting Display with Microphone	570(L)*80(W)*3(Thick)M M	553(L)*75(W)*630(Thick)M M	Panel:571(L)*81(W)*3(H)MM Case:555(L)*77(W)*630(H)MM
18.5" Desktop Lifting Display with Microphone	610(L)*80(W)*3(Thick)M M	592(L)*75(W)*630(Thick)M M	Panel:611(L)*81(W)*3(H)MM Case:594(L)*77(W)*630(H)MM
21.5" Desktop Lifting Display with Microphone	680(L)*80(W)*3(Thick)M M	600(L)*75(W)*630(Thick)M M	Panel:681(L)*81(W)*3(H)MM Case:662(L)*77(W)*630(H)MM
23.8" Desktop Lifting Display with Microphone	720(L)*80(W)*3(Thick)M M	704(L)*75(W)*630(Thick)M M	Panel:721(L)*81(W)*3(H)MM Case:706(L)*77(W)*630(H)MM
27-inch Desktop Lifting Display	687(L)*80(W)*3(Thick)M M	671(L)*75(W)*680(Thick)M M	Panel:688(L)*81(W)*3(H)MM Case:673(L)*77(W)*680(H)MM

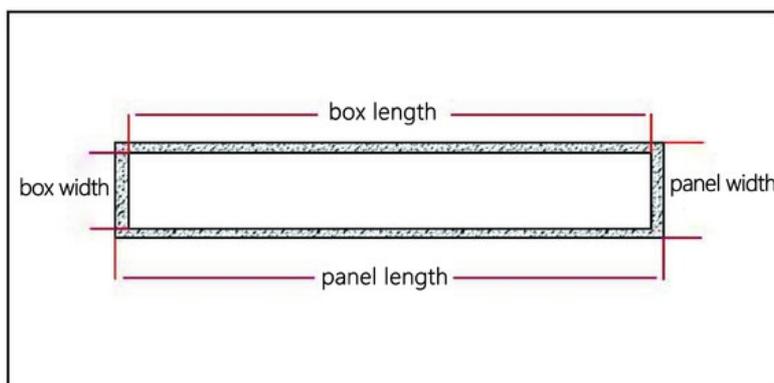




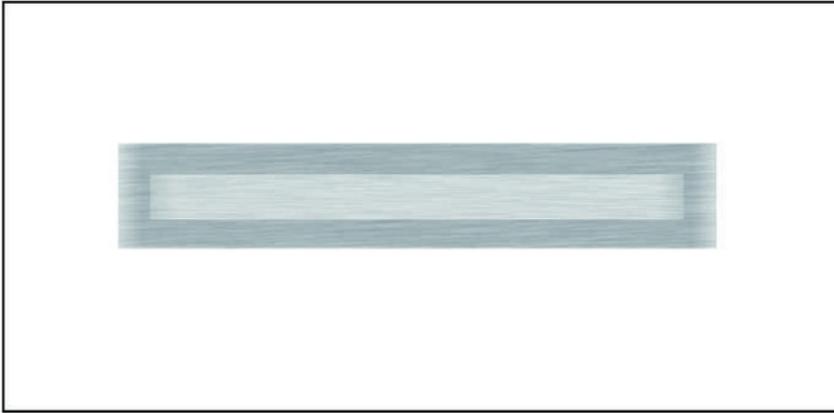
We have one-stop office furniture and equipment solutions for R&D, distribution, sales and related services, as well as Quality Conference table lifting screen production lines, advanced Conference table lifting screen CNC equipment, a strong design team and excellent after-sales service team. Our Conference table lifting screen is mainly used in senior executive desks, large conference tables, all kinds of luxury hotels, office buildings, laboratories, banks, government projects, office system integration and so on. Our Conference table lifting screen has been exported to more than 100 countries and cities and has won a good reputation all over the world. We firmly believe that with innovative products, competitive Conference table lifting screen price and perfect service, China Junnan Conference table lifting screen is trying to win the market and customers, and looking forward to a better tomorrow.

Installation steps

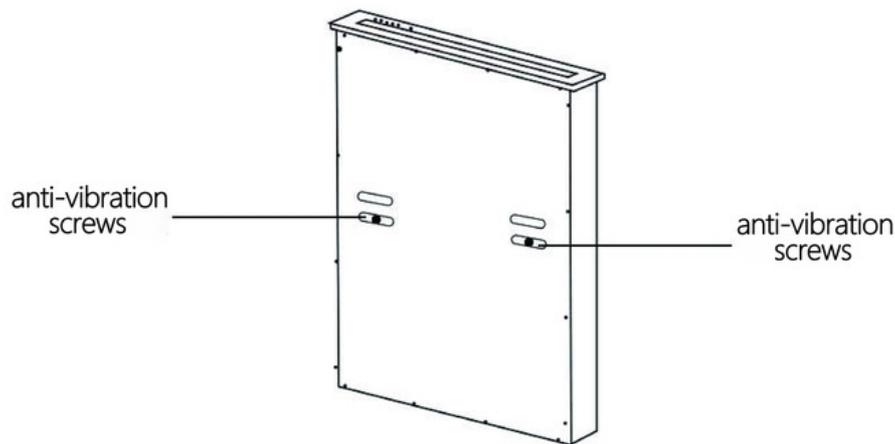
(1) Determine the installation position of the desktop first, according to the Monitor lift of the elevator chassis in the desktop to open the corresponding hole



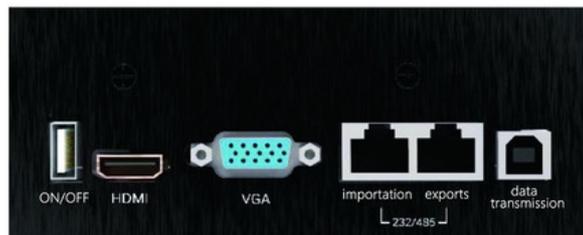
(2) Then countersink the lifter panel accordingly to the size of the lifter panel



(3) Be sure to remove the anti-vibration screws before turning on the power.



(4) Put the lifter inside the open hole, and then connect the power to lift 1-3 times to ensure normal operation. Will be connected to the line on / off HDMI, data transmission, VGA input / output power cord) as follows



(5) installation is complete (Note: the possibility that the Desktop Lifting Display can not move: ① battery socket is not plugged in; ② through the controller is powered, you can press the panel button test)

FAQ

Can you send your staff to install the equipment for us?

Re: We can send technicians to install it, but you need to pay the travel and labor costs.

Where is your factory located?

Re: We are a conference system supplier located in Guangzhou

Can you can design the equipment according to our size?

Re: No problem, we support OEM

Do you have any real project pictures of the equipment?

Re: Our pictures are all real cases and objects

Are you a trading company or a manufacturer?

Re: We are manufacturer

